



5x1 HDMI Switch

Display five separate HDMI sources on one TV

AB7819

EAN: 8716065342703

Packaging contents: AB7819, Remote Control, Power supply 5V 1A, Quick Install Guide

OVERVIEW

- Display 5 sources on 1 screen
- Remote control for switching between the different sources
- Auto input sensing: switches automatically to the available source
- Compatible with HDMI High Speed
- Power adapter included

SPECIFICATIONS

- Dimensions in mm. (WxHxD): 115x25x61
- Weight in grams: 210g
- Power consumption: 3W
- Power supply: 5V 1A
- HDMI input: 5 HDMI ports
- HDMI output: 1 HDMI port
- Maximum HDMI input/output cable length: 5M
- Supported resolutions 50/60hz compatible: 480i/576i/480P/576P/720P/1080i/1080P
- Supported 3D format: 1080p@30/60hz
- Supported 4K resolution: 3840x2160 @30Hz
- Audio Passthrough: DTS-HD MA, Dolby True-HD, Dolby Digital.
- Supports Auto-sensing
- HDMI standard: HDMI High speed

5x1 HDMI Switch

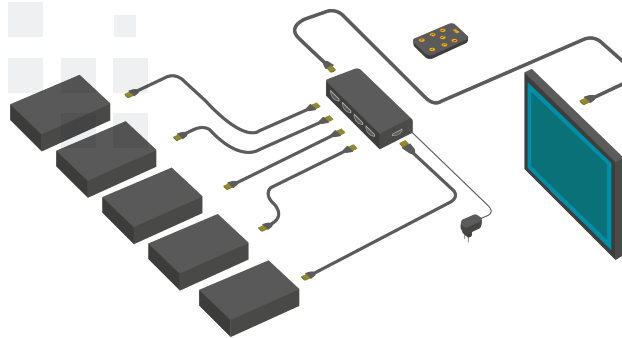
Display five separate HDMI sources on one TV

DESCRIPTION

With the 5x1 AB7819 HDMI switch, it is possible to display 5 HDMI sources on one TV/monitor. Switching between the sources is easy with the supplied remote control. The AB7819 switches automatically to the first available source thanks to the auto-input-sensing. The Eminent HDMI switch has a built-in infrared receiver. The maximum (3D) resolution is 1080p @ 60 Hz and 4K resolution: 3840x2160 @ 30Hz.

Display five HDMI sources on one TV

Use the AB7819 5x1 HDMI Switch for sharing multiple video sources on a single TV during presentations or meetings. The AB7819 supports Auto-Input-Sensing which enables the switch to automatically select the first source available. With the included remote control you can easily select the HDMI source that should be displayed in full screen. The AB7819 is equipped with status LEDs that show which sources are connected.



Connecting your devices

Connect the video sources with High Speed HDMI cables to the HDMI input ports of the AB7819 HDMI Switch. Connect a TV/monitor with a High Speed HDMI cable to the output port of the switch. The maximum recommended length for HDMI cables is 5 meters. The AB7819 needs an external AC adapter that is enclosed in the package.

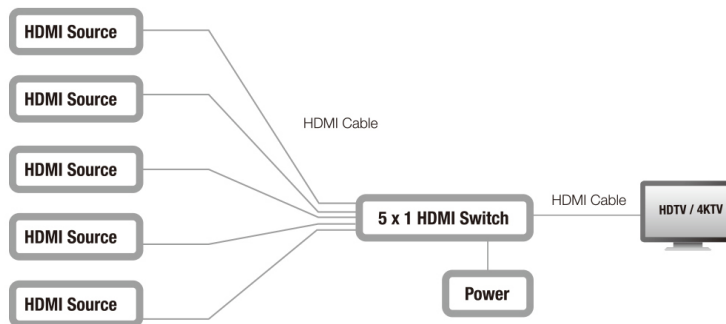
5x1 HDMI Switch

Display five separate HDMI sources on one TV

IMAGES



Backside



For example:
Media Player
BluRay Player
DVD Player